

The Scala PR-500 Paraflector antenna is intended for use in professional fixed-station applications in the 490—512 MHz band. It features:

- High gain, half parabolic design.
- Lower weight and surface area than a parabolic dish or grid.
- Very rugged construction using anodized aluminum pipe, tubing and castings; plus stainless steel hardware and fastenings.
- Weather resistant foam-filled broadband feed assembly requires no pressurization. Easily replaced for frequency changes.

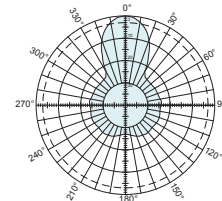
Specifications			
Frequency range	Model	Frequency	Gain
	PR-500	490—512 MHz	15.5 dBd (17.65 dBi)
Impedance	50 ohms		
VSWR	<1.5:1		
Polarization	Horizontal or vertical		
Front-to-back ratio	25 dB		
Maximum input power	100 watts (at 50°C)		
H-plane beamwidth	24 degrees (half-power)		
E-plane beamwidth	32 degrees (half-power)		
Connector	N female		
Weight	38 lb (17.2 kg)		
Dimensions	68 x 36 x 18 inches (1727 x 914 x 457 mm)		
Wind load at 93 mph (150 kph)	Front / side		
	134 lbf / 72 lbf (594 N) / (320 N)		
Wind survival rating*	100 mph (160 kph)		
Shipping dimensions	40 x 36 x 7 inches (1016 x 914 x 178 mm)		
Shipping weight	47 lb (21.3 kg)		
Mounting	Mounting kits available for masts of 2.375 to 4.5 inch (60 to 114 mm) OD.		

* Mechanical design is based on environmental conditions as stipulated in TIA-222-G-2 (December 2009) and/or ETS 300 019-1-4 which include the static mechanical load imposed on an antenna by wind at maximum velocity. Contact KBU for further details.

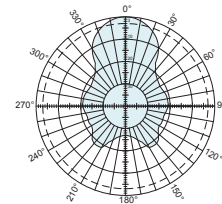
PARAFLECTOR is a registered trademark of Kathrein Broadcast USA.



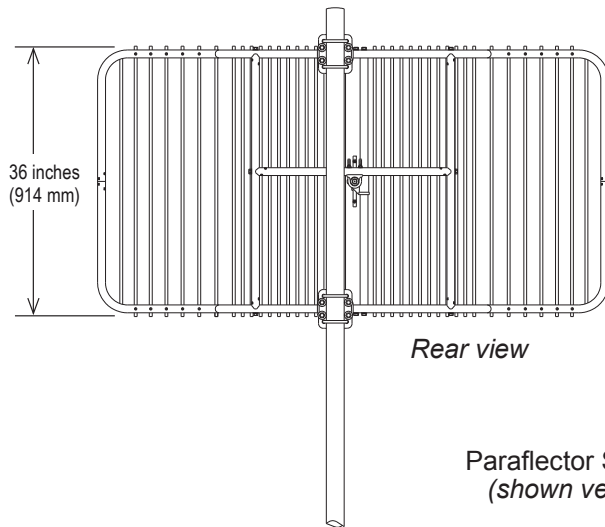
(Shown vertically polarized)



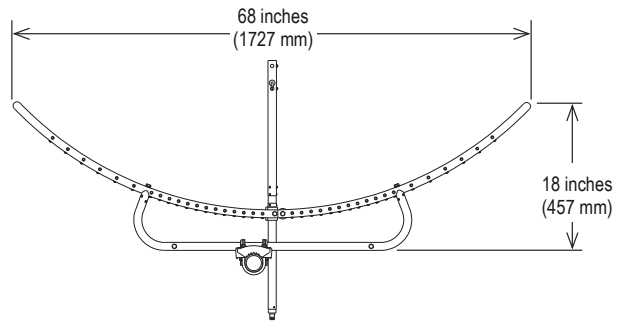
H-plane
Horizontal pattern — V-polarization
Vertical pattern — H-polarization



E-plane
Horizontal pattern — H-polarization
Vertical pattern — V-polarization



Rear view

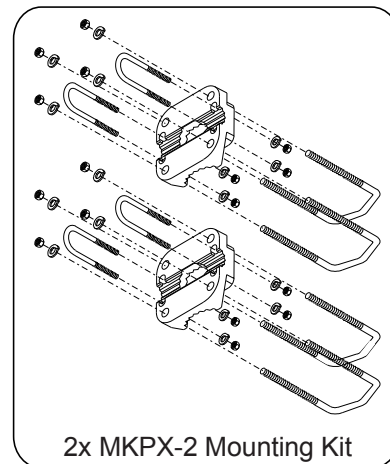


Top view

Paraflector Screen Dimensions
 (shown vertically polarized)

Mounting options

Model	Description
MKPX-2 (2x)	Mounting kit for 2.375 inch (60 mm) OD mast
MKPX-9	Mounting kit for 2.875 inch (73 mm) OD mast
MKPX-10	Mounting kit for 3.5 inch (89 mm) OD mast
MKPX-11	Mounting kit for 4 inch (102 mm) OD mast
MKPX-12	Mounting kit for 4.5 inch (114 mm) OD mast
MKTB-1	Tilt Mount Kit, 8—39 degrees tilt angle. Used with any MKPX kit listed above.



2x MKPX-2 Mounting Kit

Order information

Model	Description
PR-500	490—512 MHz Antenna (mounting kit not included)
PRF-500	Replacement feed assembly (490—512 MHz)

Note: Requires mounting kit at additional cost (see listing above).

30028a subject to alteration